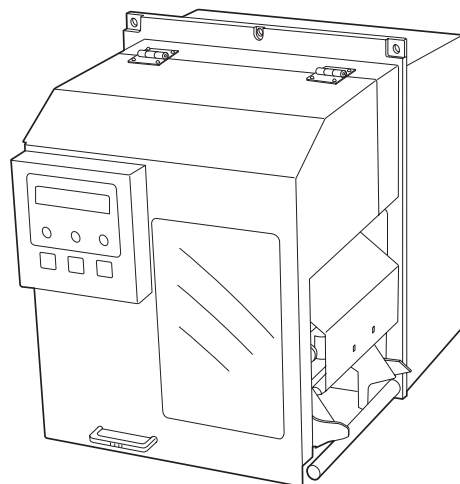




TEC Barcode Printer

B-492L/R-TH10 SERIES

Owner's Manual



TOSHIBA TEC CORPORATION

TABLE OF CONTENTS

	Page
1. PRODUCT OVERVIEW.....	1-1
1.1 Introduction.....	1-1
1.2 Features	1-1
1.3 Unpacking	1-1
1.4 Accessories	1-1
1.5 Appearance of the Printer.....	1-2
1.5.1 Dimensions.....	1-2
1.5.2 Front View	1-3
1.5.3 Side View	1-3
1.5.4 Interior	1-4
1.5.5 Operation Panel	1-4
1.6 Appearance of the Power Supply Unit	1-5
1.6.1 Dimensions.....	1-5
1.6.2 Front View	1-5
2. PRINTER SETUP	2-1
2.1 Precautions	2-1
2.2 Procedure before Operation	2-2
2.3 Fitting the Fan Filter.....	2-2
2.4 Connecting the Cables to Your Printer.....	2-3
2.5 Connecting the Power Cord.....	2-4
2.6 Turning the Printer ON/OFF.....	2-5
2.6.1 Turning ON the Printer	2-5
2.6.2 Turning OFF the Printer	2-5
2.7 Loading the Media	2-6
2.8 Loading the Ribbon	2-11
2.9 Inserting the Optional PCMCIA Cards	2-12
2.10 Test Print.....	2-13
3. ON LINE MODE	3-1
3.1 Operation Panel.....	3-1
3.2 Operation.....	3-2
4. MAINTENANCE	4-1
4.1 Cleaning	4-1
4.1.1 Print Head/Platen	4-1
4.1.2 Media Guide Plate/Pinch Roller/Sensors.....	4-2
4.1.3 Paper Holder	4-4
4.1.4 Covers and Panels.....	4-4
4.2 Care/Handling of the Media and Ribbon	4-5
5. TROUBLESHOOTING	5-1
5.1 Error Messages	5-1
5.2 Possible Problems.....	5-2
5.3 Removing Jammed Media	5-3
5.4 Threshold Setting	5-3
6. PRINTER OPERATION.....	6-1
6.1 Overview	6-1
6.2 Installing the Printer Drivers.....	6-1
6.2.1 System Requirements.....	6-2
6.2.2 Driver Installation.....	6-2
6.2.3 Uninstalling the TEC B-492 Printer Driver	6-6

APPENDIX 1 SPECIFICATIONS	A1-1
A1.1 Printer.....	A1-1
A1.2 Options.....	A1-2
A1.3 Media	A1-2
A1.3.1 Media Type	A1-2
A1.3.2 Detection Area of the Transmissive Sensor	A1-3
A1.3.3 Detection Area of the Reflective Sensor	A1-4
A1.3.4 Effective Print Area	A1-4
A1.4 Ribbon.....	A1-5
APPENDIX 2 MESSAGES AND LED	A2-1
APPENDIX 3 INTERFACE.....	A3-1
APPENDIX 4 SYSTEM MODE.....	A4-1
A4.1 Operation Panel.....	A4-1
A4.2 Overview	A4-2
A4.3 Reset Mode	A4-3
A4.4 Self-Diagnostic Test	A4-3
A4.5 Printer Parameter Fine Adjustment.....	A4-6
A4.6 Test Print.....	A4-14
A4.7 Dump Mode.....	A4-20
A4.8 Additional Information.....	A4-21
A4.8.1 Self-Diagnostic Test Result Sample and Descriptions.....	A4-21
A4.8.2 Maintenance Counter/Parameter Check Print Sample and Descriptions.....	A4-24
A4.8.3 Magnified Views of Slant Line Pattern.....	A4-27
APPENDIX 5 PRINT SAMPLES	A5-1
GLOSSARIES	
INDEX	

CAUTION!

1. This manual may not be copied in whole or in part without prior written permission of TOSHIBA TEC.
2. The contents of this manual may be changed without notification.
3. Please refer to your local Authorized Service representative with regard to any queries you may have in this manual.

This is a “Table of Contents preview” for quality assurance

The full manual can be purchased from our store:

https://the-checkout-tech.com/manuals/TEC/B-490_owners_manual.html

And our free Online Keysheet maker:

<https://the-checkout-tech.com/Cash-Register-Keysheet-Creator/>

[HTTPS://THE-CHECKOUT-TECH.COM](https://THE-CHECKOUT-TECH.COM)